



TIANCHENG FIRE PROTECTION EQUIPMENT

LPCB^{CERTIFIED}
PRODUCT CATALOGUE

5G ALTERS THE WORLD
TIANCHENG CHANGES LIFE

Address: No. 11-2 Kechechang Xili, Xishi District, Yingkou Pilot Free Trade Zone (Liaoning) China

Postcode: 115004

Email: info@tcfiretech.com

Website: www.tcfiretech.com

All rights reserved. If the version of this manual is updated, the latest version shall prevail.

Ver. 2021.01

LIAONING YINGKOU TIANCHENG FIRE PROTECTION
EQUIPMENT CO.,LTD

OUR

COMPANY PROFILE



TIANCHENG FIRE PROTECTION EQUIPMENT CO., LTD (HEREINAFTER REFERRED AS TO TC) SPECIALIZES IN DESIGN AND MANUFACTURE OF HIGH QUALITY FIRE PROTECTION SOLUTIONS FOR COMMERCIAL, INDUSTRIAL AND DOMESTIC APPLICATIONS. WE HAVE NEARLY 30 YEARS EXPERIENCE IN THE FIELD OF FIRE PROTECTION INDUSTRY.

EVERLASTING DESIRE FOR INNOVATION DRIVES OUR COMPANY'S PRODUCT DEVELOPMENT PROGRESS. WE ARE CONTINUOUSLY EXPLORING NEW TECHNOLOGIES THAT HELP US LIVE IN A SMART WORLD. SMART TC MAKES A MORE CONNECTED AND CARING PLACE, WHERE RESOURCES ARE VALUED, WHERE IMPACT OF THE WOLD IS CONSIDERED, WHERE SUSTAINABLE ENERGY IS DELIVERED RELIABLY AND EFFICIENTLY.

TC ADOPTS ADVANCED TECHNOLOGIES: IOT, BIG DATA, CLOUD COMPUTING TO LAUNCH ITS SMART TC SERIES INCLUDING "SMART FIRE PROTECTION" , "SMART HOME SAFETY" WITH DIFFERENT APPS AVAILABLE. TC IS CERTIFIED BY ISO9001, ISO14001 AND ISO18001. OUR PRODUCTS ARE CERTIFIED BY CCCF, LPCB, CE AND GOST. OUR CORPORATE PHILOSOPHY IS BASED ON HIGH QUALITY, HIGH EFFICIENT SERVICE AND REASONABLE PRICES. TC IS THE FIRST AND ONLY IN CHINA THAT HOLDS A PRODUCT LIFETIME WARRANTY. TC HAS REACHED A LEADING POSITION IN THE MARKET FOR PROFESSIONAL FIRE PROTECTION, WITH 32 DOMESTIC BRANCHES IN MAJOR CITIES, SUCH AS BEIJING, SHANGHAI, CHENGDU, GUANGZHOU, SHENZHEN, NANJING, ETC.,AND 4 BRANCHES OVERSEAS IN NOIDA INDIA, DUBAI UAE, HO CHI MINH CITY VIETNAM, MOSCOW RUSSIA, BESIDES A NETWORK OF PARTNERS AND DISTRIBUTORS. COMBINING TC'S BRAND, CAPITAL, TECHNOLOGY AND MANAGEMENT ADVANTAGES IN DOMESTIC AND INTERNATIONAL MARKETS, TC IS COMMITTED TO PROVIDING CUSTOMERS WITH COMPREHENSIVE AND EFFICIENT ONE-STOP FIRE PROTECTION SOLUTIONS, IMPROVING THE OVERALL QUALITY OF LIFE AND DRIVING THE DEVELOPMENT OF MODERN CITIES.

CERTIFICATIONS TIANCHENG

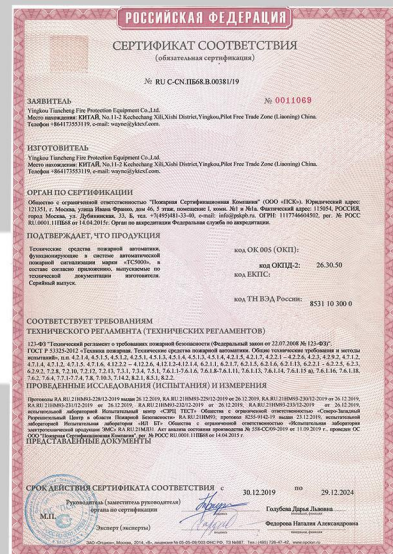
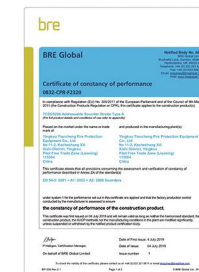
ABOUT US



LPCB



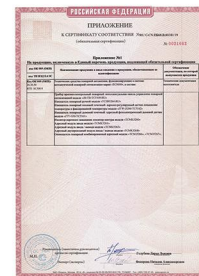
EN54

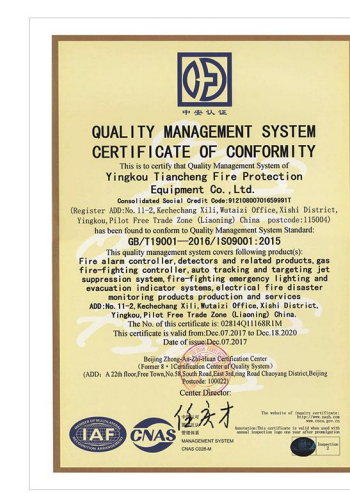
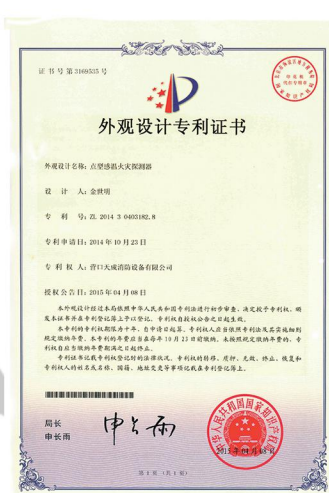
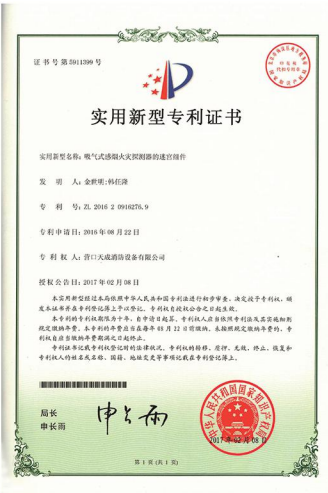
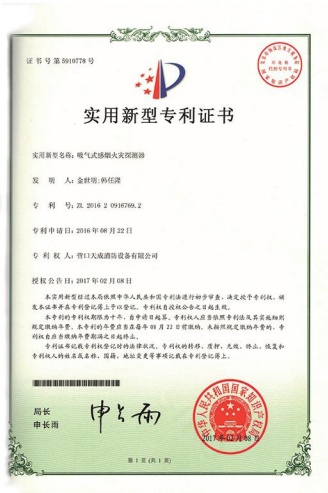
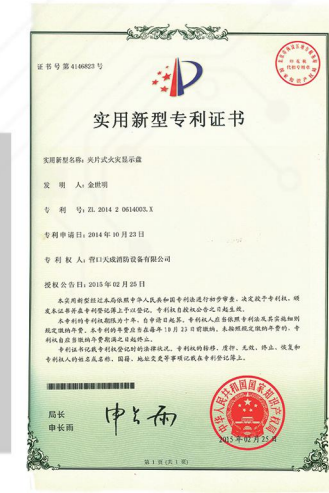
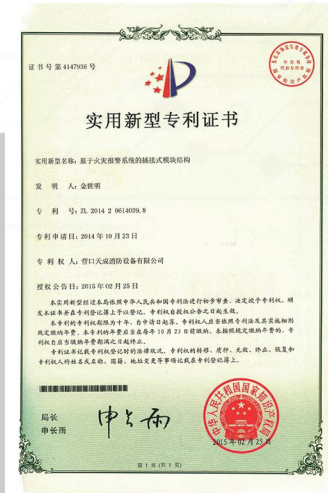
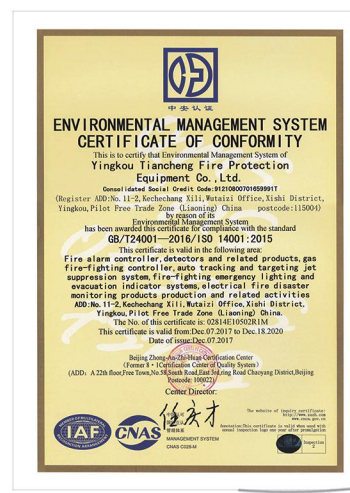
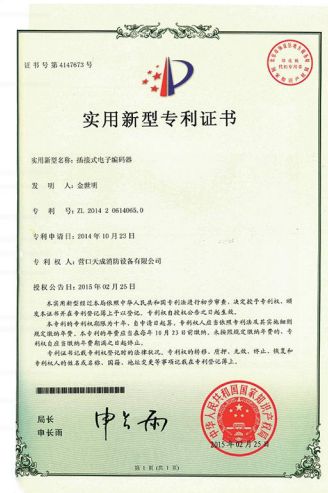
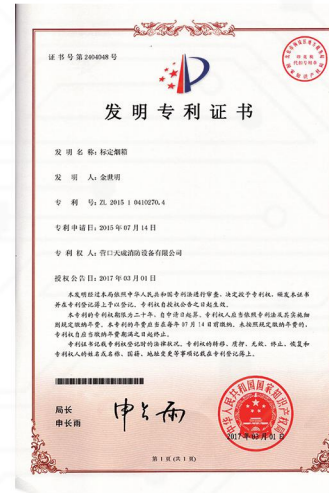
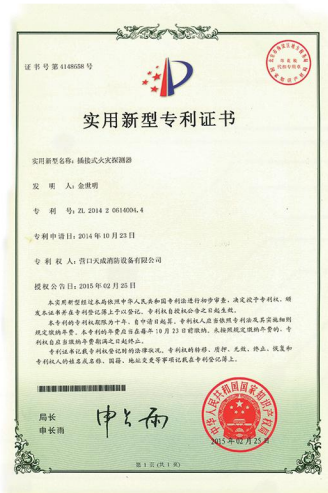


GOST



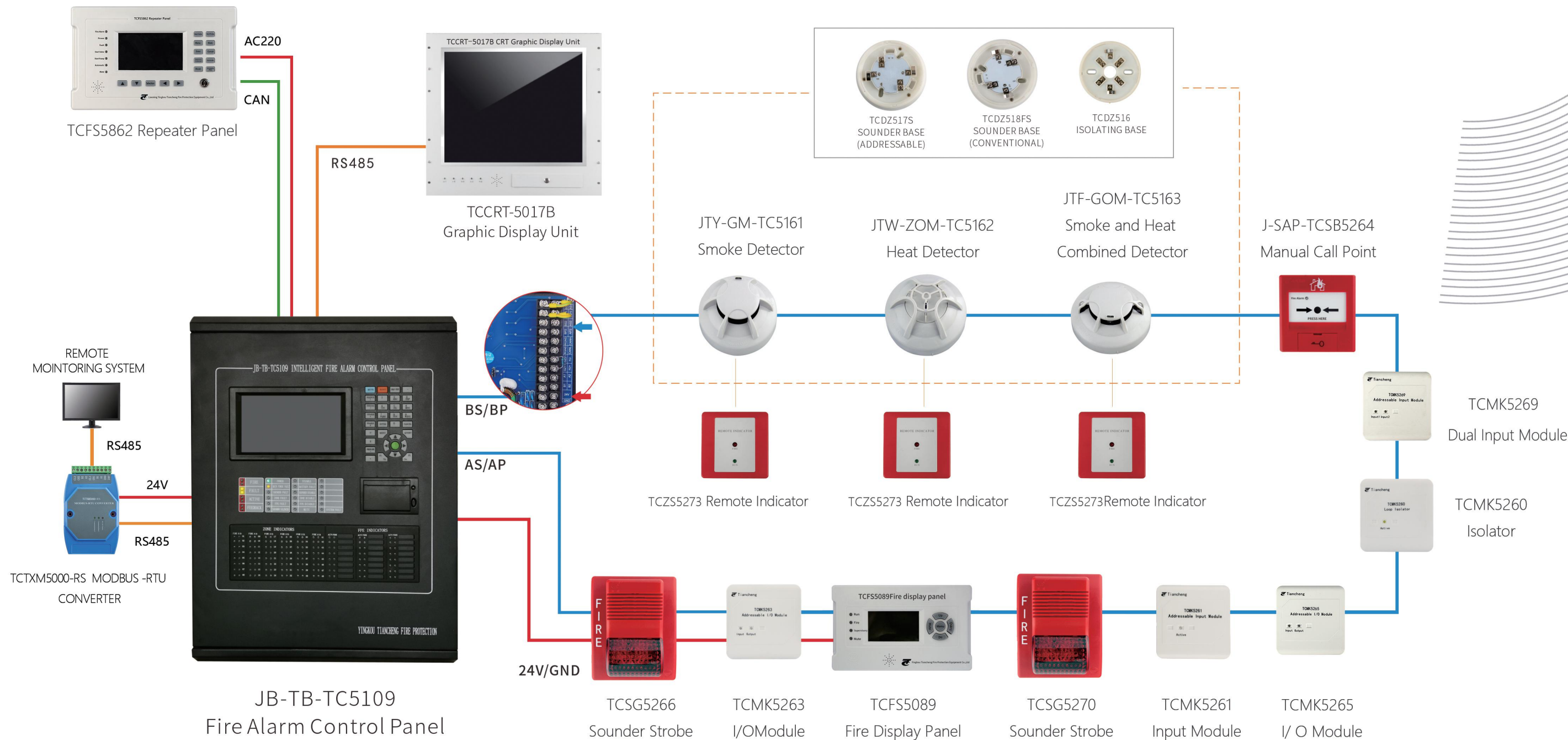
CE

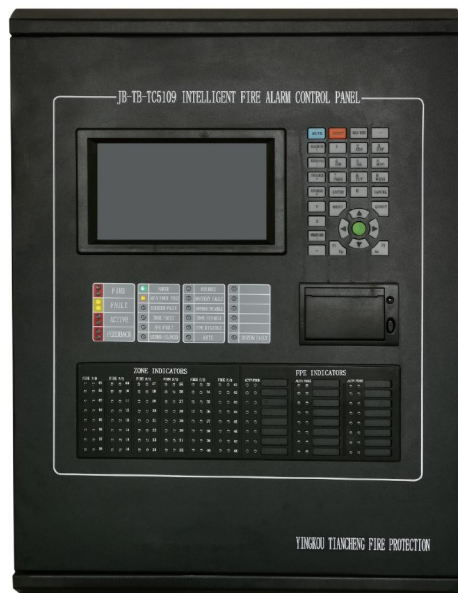




PCB CERTIFIED WIRING DIAGRAM

ABOUT US





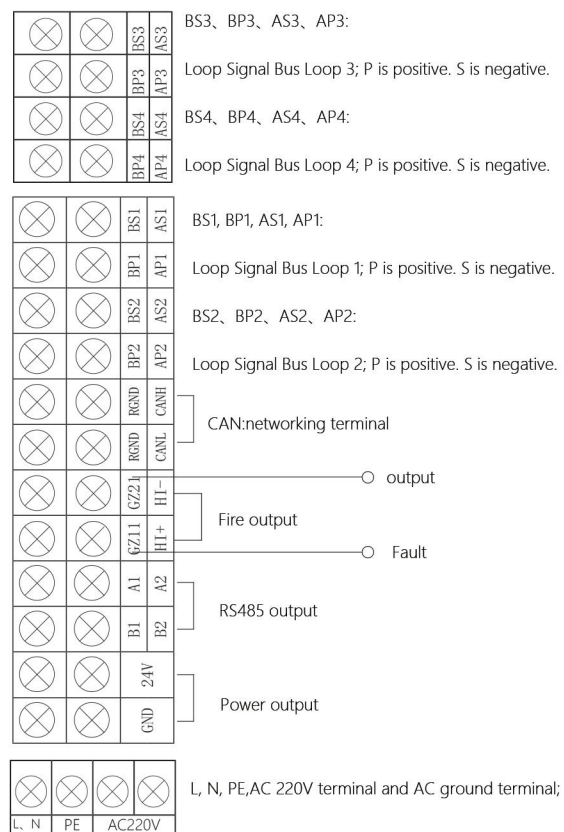
JB-TB-TC5109

 Intelligent Fire Alarm Control Panel

EN54-2 CERTIFIED
 EN54-4 CERTIFIED

FEATURE

- Intelligent bus control mode; max 255 addressable points per loop, max 4 loops, max 48 zones
- Loop card type design: 1-4 loop cards can be selected
- Glass fuse per loop
- Black box function
- Self-design loop protocol
- Wall-mounted structure, compact and exquisite
- Akzo outer coating; anti-corrosion
- Language: simplified Chinese, English, Turkish and Russian(cus to mized)
- Self-design loop protocol



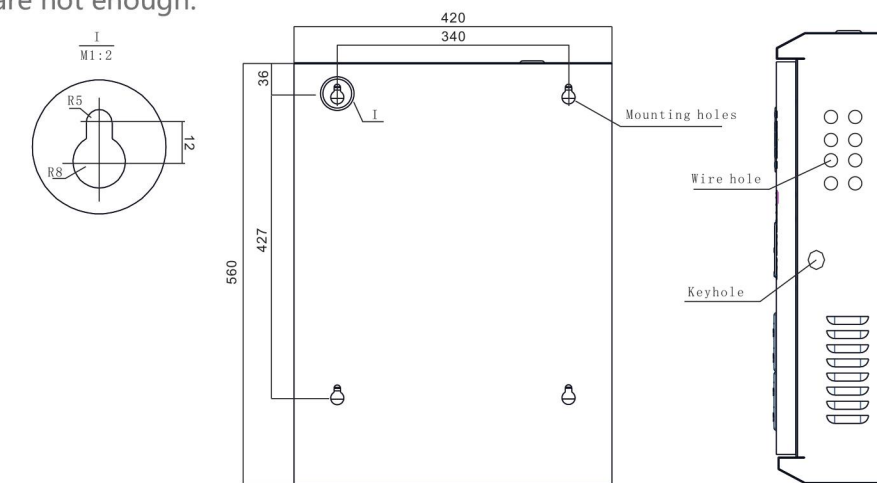
TECHNICAL SPECIFICATIONS

- Voltage
- Current
- Outputs
- Capacity
- LCD screen size
- Standby battery
- Dimension(L*W*H)
- Operating environment
- Communication interface

- AC230V(50HZ), Voltage range:+10%~-15%
- 1A
- Fire output, Fault output, 24V power output, Loop output
- 1020/4 loops addressable points
- 7-inch color LCD screen
- 12V/12AH sealed lead acid battery*2
- 420mm x 140mm x 560mm
- Temperature:-5°C~+50°C; Relative Humidity: ≤95% non-condensing
- RS485, CAN, USB

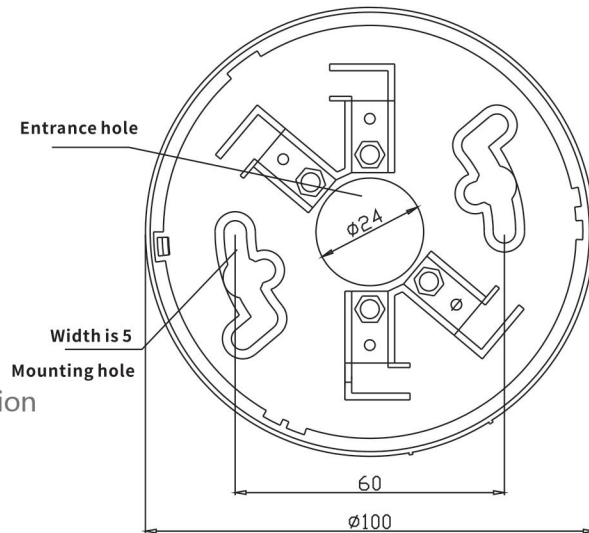
DETAILS

The control panel is mounted on the wall through 4 mounting holes, the dimensions of the mounting holes are shown in the picture. The right side of the control panel has 8 wiring holes, which are easy for wiring between the control panel and field devices. There are also 5 knock holes at the top, if the holes on the right side are not enough.





Addressable Photoelectric Smoke Detector



FEATURE

- Infrared scattering principle
- Non-polarized two-wire
- Drift compensation and fault detecting function

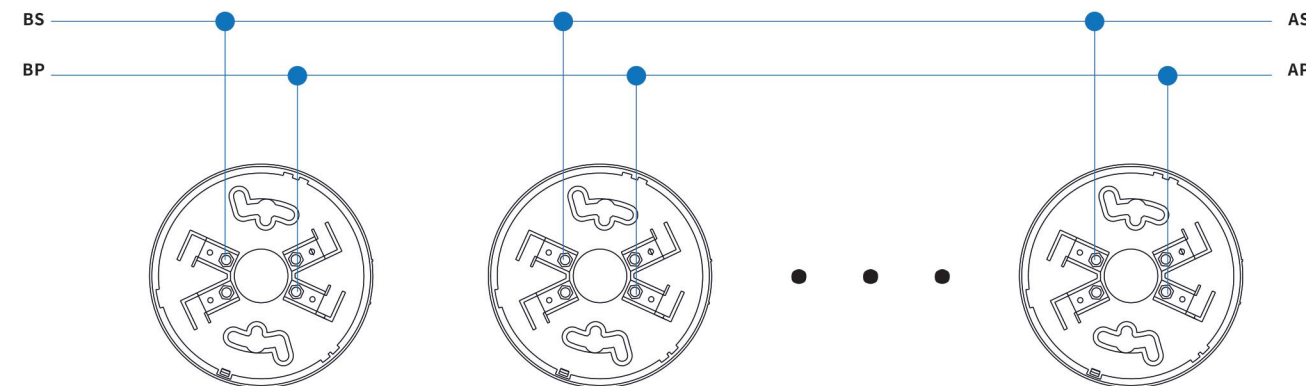


TECHNICAL SPECIFICATIONS

Operating Voltage	Loop 24V (18.5V~26V)
Operating Current	Standby current: ≤0.3mA; Alarm current: ≤0.8mA
Weight	About 110g
Code range	1~255
Coding method	Electronically coding
Dimension	100mm x 51mm (with base)
Mounting hole distance	60mm
Operating environment	Temperature: -10°C~+55°C; Relative Humidity: ≤95% non-condensing
Ingress protection rating	IP23
Material and color of enclosure	ABS; Milky white
Maximum transmission distance	1000m

DETAILS

1. Base of the detector is shown below. There are 2 conductor pieces with terminals on the base. Detector's loop should be respectively connected with two terminals (non-polarized). After the base is fixed firmly, rotate the bottom of detector and base clockwise, and then the detector will be fitted to the base.
2. 1.0mm² or above fire cable, subject to local codes.

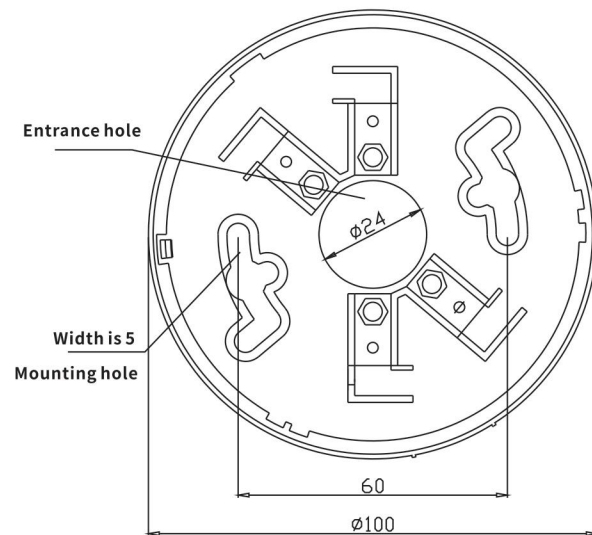




* JTW-ZOM-TC5162

Addressable Rate of Rise
Fixed Temperature Heat Detector

* EN54-5 CERTIFIED



FEATURE

- Advanced single-chip microcomputer technology
- Non-polarized two-wire
- Thermal sensitive element improves the response speed of temperature variation

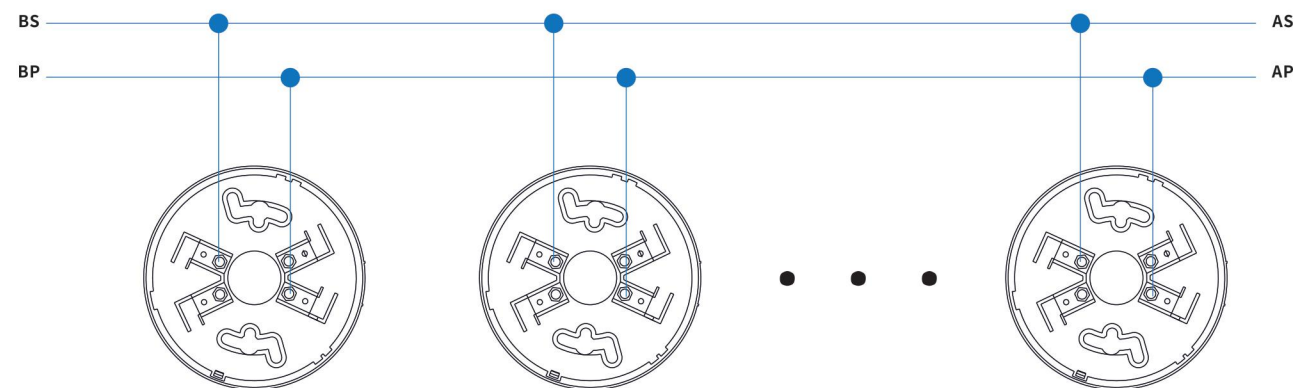


TECHNICAL SPECIFICATIONS




Operating Voltage	Loop 24V (18.5V~26V)
Operating Current	Standby current: $\leq 0.3\text{mA}$; Alarm current: $\leq 0.8\text{mA}$
Weight	About 110g
Code range	1~255
Coding method	Electronically coding
Dimension	100mm x 51mm (with base)
Mounting hole distance	60mm
Operating environment	Temperature: -10°C ~ $+55^{\circ}\text{C}$. Relative Humidity: $\leq 95\%$ non-condensing
Ingress protection rating	IP33
Material and color of enclosure	ABS; Milky white
Maximum transmission distance	1000m

DETAILS

- Fix the base with two tapping screws, and then connect loop to terminals (polarity-insensitive). After the base is fixed firmly, rotate the bottom of detector and base clockwise, and then the detector will be fitted to the base.
- Wiring instructions: RVS twisted pair with cross-sectional area $\geq 1.0\text{mm}^2$ should be selected for the second bus of the detector, which should be laid through metal pipe or flame retardant pipe. The length of the connecting wire should be limited to the single bus resistance $\leq 20\Omega$, otherwise the wire diameter should be increased.





TCMK5260   
Addressable Loop Isolator
 EN54-17 CERTIFIED

FEATURE

- Polarized connection with peripheral devices and no need to transfer connection of input and output.
- Delayed power supply to output terminal devices will avoid over load or strong transient current
- Plug-in structure
- Non-polarized two-wire



TECHNICAL SPECIFICATIONS

Operating voltage
Operating current
Load capacity
Indicator
Operating Environment
Coding method
Material and color of enclosure
Mounting hole distance
Dimension(L×W×H)
Ingress protection rating
Weight

Loop 24V(18.5V~26V)
Action current ≤ 170mA or 270 mA (B and ZX2 short circuit here)
Loop 24V,170mA;Loop 24V,270mA(B and ZX2 short circuit here)
Yellow,light out in normal condition,Illuminates in action
Temperature:-10°C~+50°C;Relative Humidity:≤95%non-condensing
Electronically coding
ABS;Porcelain white
60mm
86mm×41mm×86mm(with base)
IP30
147g(with base)

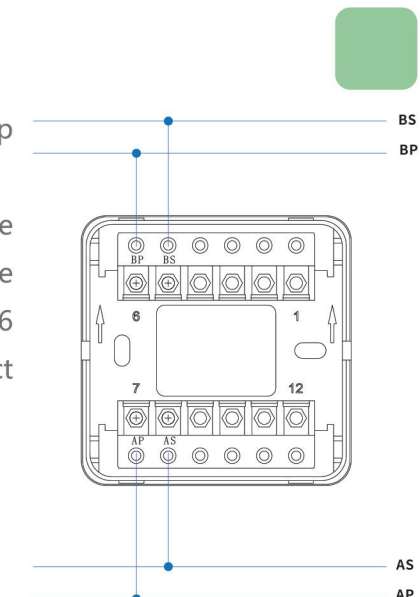
DETAILS

- Take surface installation for the isolator, install the base upward of the arrow direction, plug-in for the isolator to the base. Pull off the isolator, wear the cable through wiring hole on the base and connect correspondent terminal and plug in the isolator. Mounting hole distance is 60mm.




Wiring instruction:

BS(pin 5),AS(pin 8):loop negative; BP(pin 6),AP(pin 7):loop positive

The positive cable inserts from pin 7 and out from pin 6. The cable negative inserts from pin 8 and out from pin 5. Please refer to control panel TC5109 terminal mark wiring. 5.6 Recommended Cabling:1.0mm² or above fire cable, subject to local codes.





TCMK5263   

Addressable Single I/O Module

EN54-18 CERTIFIED

FEATURE

- Line detection function for input and output
- Input terminal is ste as normal open detecting function connected with passive contact
- Non-polarized two-wire
- Active and passive output



TECHNICAL SPECIFICATIONS

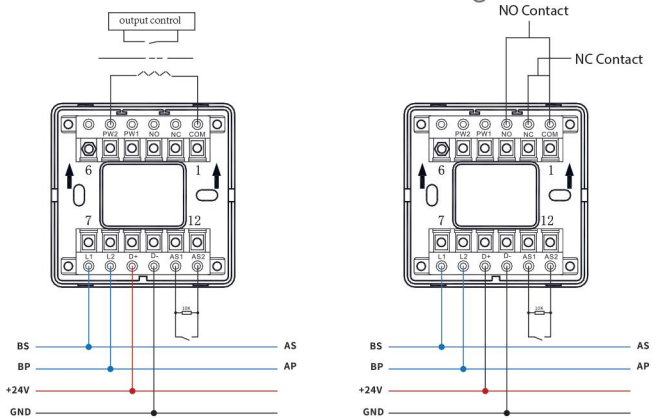
Operating Voltage
Standby current
Starting current
Operating Environment
Output capacity
Coding method
Code range
Material and color of enclosure
Weight
Mounting hole distance
Dimension(L×W×H)

Loop:24V(18.5V~26V); Power:DC24V(DC19V~DC28V)
Loop:≤0.2mA; Power: ≤2mA
Loop:≤2mA;Power:≤22mA
Temperature:-10℃~+55℃; Relative Humidity:≤95% non-condensing
Passive:Capacity:DC30V/3A;Contact resistance in normal condition:100kΩ; Closed when activated;Suitable for DC or AC 12V~48V;Active output: DC24V/1.5A
Electronically coding
1~255
ABS; Porcelain white
About 147g(with base)
60mm
86mm×38mm×86mm(with base)

DETAILS

Feedback input terminal has disconnection detection function, add a 10K terminal resistance at one end, otherwise it will report as product feedback terminal fault. Output line has disconnection and short line detection function, when module does no action, voltage between DC13V to 48V is required at normal open output terminal otherwise it will report as module output line fault.

Open installation applied for the module. Insert mode for installation between base and module. When installing, pull down the module, lead the wire through wiring hole, connect it with terminal and push the module onto the base. The mounting hole distance is 60mm.

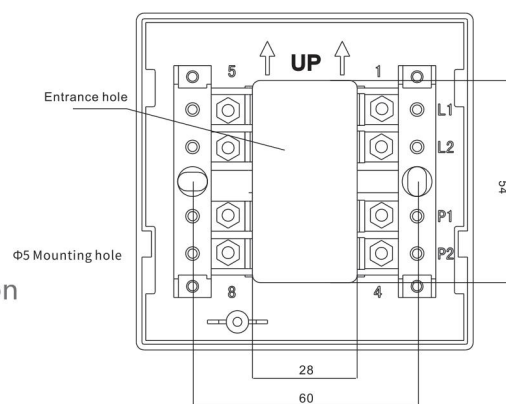




J-SAP-TCSB5264

Analogue Addressable Manual Call Point

EN54-11 CERTIFIED



FEATURE

- Plug-in structure .Simple and convenient installation
- Alarm by pressing, reset by a special key
- Non-polarized two-wire to the control panel
- Reusable



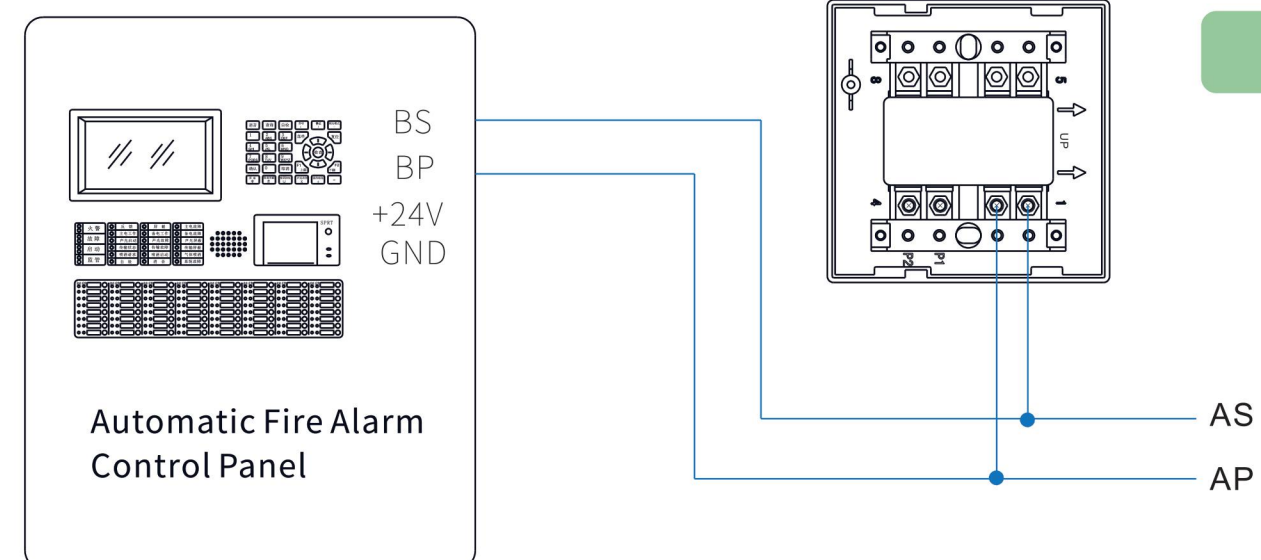
TECHNICAL SPECIFICATIONS

Operating voltage
Operating current
Operating Environment
Coding method
Code range
Material and color of enclosure
Weight
Mounting hole distance
Dimension(L×W×H)

Loop 24V(18.5V~26V)
Standby current: ≤0.2mA; Alarm current: ≤0.8mA
Temperature: -10°C~+55°C; Relative Humidity: ≤95% non-condensing
Electronically coding
1~255
ABS; Red
About 120g(with base)
60mm
95mm×44mm×95mm(with base)

DETAILS

1. The MCP is mounted inside the wall. Unplug the point, put cables into the base' s entrance hole and connect corresponding terminals.
2. Wiring instructions: BS,AS and BP,AP: two bus inputs of non-polarized signals.





✨ **TCSG5266**
 Addressable Sounder Strobe
 ✨ EN-54-3 CERTIFIED

FEATURE



- Four wires: non-polarized signal two-wire, and non-polarized DC24V power two-wire
- Built-in microprocessor
- Self-diagnostic function
- Electronically coding



TECHNICAL SPECIFICATIONS

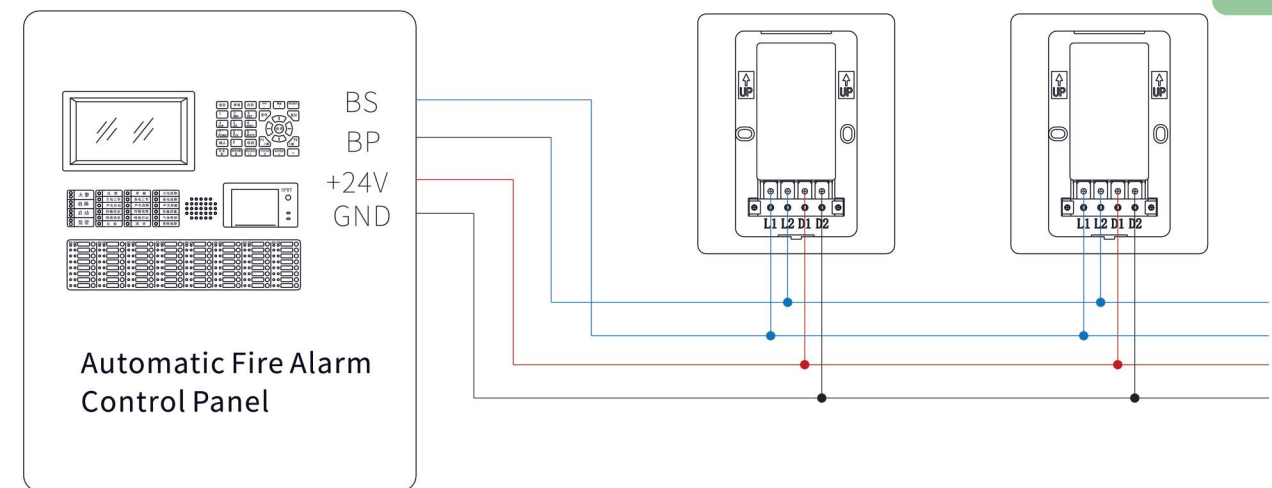
Operating voltage
Standby current
Active current
Operating Environment
Sound level
Pitch shift periodic
Basic flashing frequency
Weight
Dimension(L×W×H)

Loop:24V(18.5V~26V); Power:DC24V(DC19V~DC28V)
Loop:≤0.2mA; Power: ≤0.5mA
Loop:≤1.5mA;Power:≤50mA
Indoor(Non-residential);Temperature:-10℃~+50℃
Relative Humidity:≤95%(40±2℃)
90dB~115dB(A weighted)
3.5S~4.5S
1Hz~2Hz
200g
140mm×55.3mm×115mm(with base)

DETAILS



1. Unplug the base.
2. Fix the base. Thread cable through entrance hole from the back of base; according to the words and directions of arrow around the entrance hole, fix the base.
3. The sounder strobe is mounted inside the wall. The base box and cover of the sounder strobe are plugged together, surfaced mounted on 86H50 embedded box. The mounting hole distance is 60mm.





***TCMK5261**   
 Addressable Single Input Module
 * EN54-18 CERTIFIED

TECHNICAL SPECIFICATIONS

Operating voltage
Operating current
Operating Environment
Code range
Material and color of enclosure
Weight
Mounting hole distance
Mounting hole distance
Dimension(L×W×H)

Loop 24V(16V~28V)
Standby current: ≤0.2mA; Action current: ≤0.8mA
Temperature: -10°C~+55°C; Relative Humidity: ≤95% non-condensing
1~255
ABS; Porcelain white
About 110g(with base)
60mm
60mm
86mm×38mm×86mm(with base)

FEATURE

- Designed to connect with active devices in field such as water flow indicator, pressure switch, position switch, signal valve and devices able to transmit back switch signals
- The built-in microprocessor processes messages intelligently
- Plug-in structure
- Non-polarized two-wire



DETAILS

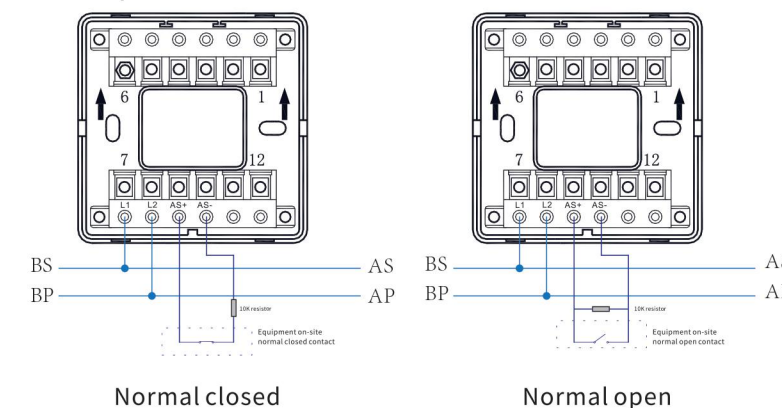
The module and base adopts plug-in structure. Unplug the module, put cables into the entrance hole and connect corresponding terminals. And then plug the module onto the base.

L1 (7), L2 (8): Non-polarized signal bus input terminal.

AS1 (9), AS2 (10): passive input, connect passive normally open contact (alarms when device's action closes);

It can also be set to normally closed input by using hand-held Encoder.

Signal bus L1 and L2 adopt RVS twisted pair, and cross section $\geq 1.0\text{mm}^2$; AS1 and AS2 adopt RV wire,

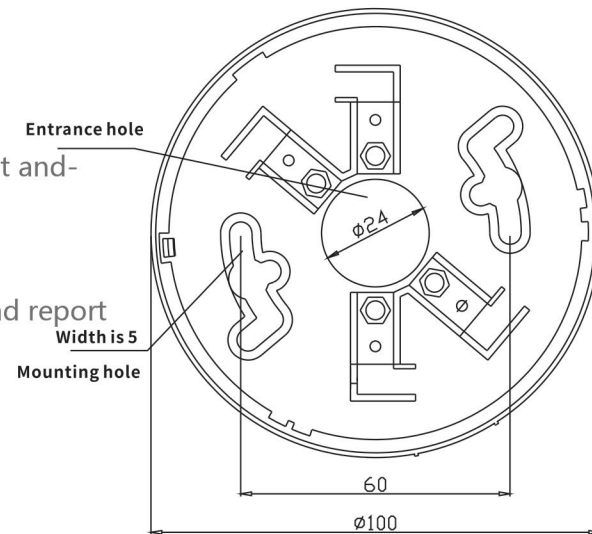




✨ **JTF-GOM-TC5163**
 Addressable Heat&Smoke Combined Detector
 ✨ EN54-5 CERTIFIED
 EN54-7 CERTIFIED

FEATURE

- Supervising external circuits function for input and-output
- single chip processes data in real time
- drift compensation and dust accumulation and report pollution self-diagnosis function
- non-polarized two wire bus signal

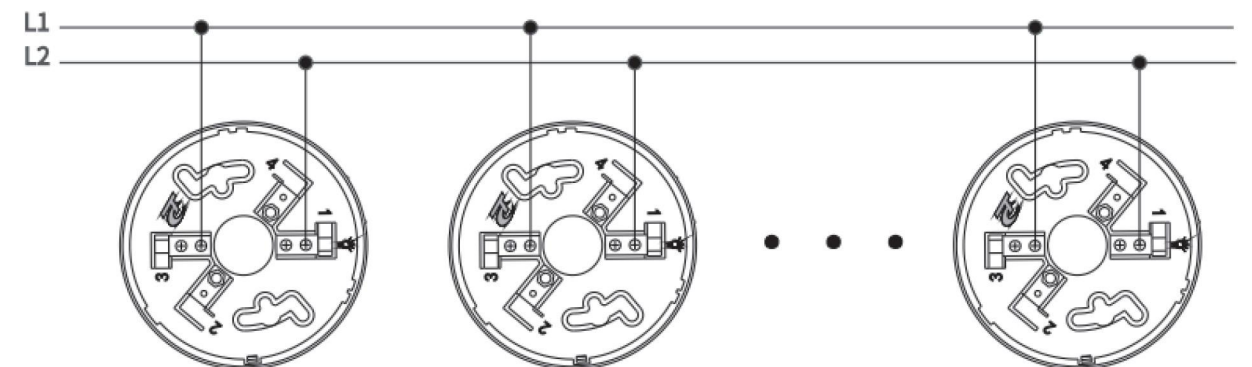


TECHNICAL SPECIFICATIONS

Operating Voltage	loop 24V(16~28V)
Operating Current	Monitoring current: $\leq 0.3\text{mA}$; Alarm current: $\leq 0.9\text{mA}$
Weight	About 110g
Protected area	20~30 m ²
Operating environment	Temperature: -10°C~+55°C; relative humidity: $\leq 95\%$, non-condensing
Dimension	100mm×51mm
Mounting hole distance	60mm
Ingress protection rating	IP23
Material and color	ABS;Milky white
Maximum transmission range	1500m

DETAILS

- There are 2 conductor pieces with terminals on the base. Loop of the detector should be connected with two terminals (polarity-insensitive). After the base is fixed firmly, rotate the bottom of detector and base clockwise, and then the detector will be fitted to the base
- 1.0mm² or above RVS twisted pair, laid out through metal conduit or flame-resistant conduit.





TCMK5269

 Addressable Dual Input Module

 EN54-18 CERTIFIED

FEATURE

- the module has two input terminals, namely input 1 and input 2, which correspond to two addresses respectively
- input loop has the function of supervising the external loop and fault information will be reported when circuit breaks.
- the microprocessor is adopted to realize signal processing, and the digital signal is used to communicate with the control panel, which works stably and reliably and has a good ability to suppress electromagnetic interference.



TECHNICAL SPECIFICATIONS

Rated operating voltage

DC24V(18.5V~26V)

Operating current

Monitoring current: $\leq 0.25\text{mA}$; Single alarm current: $\leq 1.3\text{mA}$;

Operating Environment

Dual alarm current: $\leq 2.4\text{mA}$

Wiring

Temperature: $-10^{\circ}\text{C} \sim +55^{\circ}\text{C}$; Relative Humidity: $\leq 95\%$ non-condensing

Material and color

Connected with non-polarized bus two wire of the fire alarm control panel

Input method

ABS; Porcelain white

Weight

Open circuit occurs when normally open terminal supervising external loop (short circuit is an action signal)

Mounting hole distance

110g

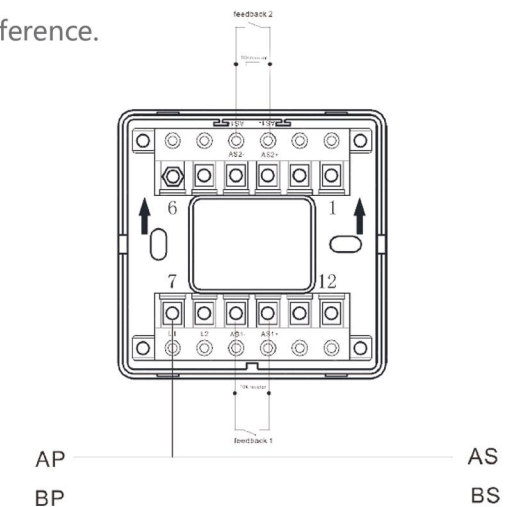
Dimension(L×W×H)

60mm

86mm×86mm×38mm(with base)

DETAILS

- the module has two input terminals, namely input 1 and input 2, which correspond to two addresses respectively
- input loop has the function of supervising the external loop and fault information will be reported when circuit breaks.
- the microprocessor is adopted to realize signal processing, and the digital signal is used to communicate with the control panel, which works stably and reliably and has a good ability to suppress electromagnetic interference.





✿ TCMK5265  
 Addressable I/O Module
 ✿ EN54-18 CERTIFIED

FEATURE

- non-polarized two bus, ultra-low power consumption, no need to add DC24V power supply
- passive output, input and output have isolating loop to effectively filter out external interference

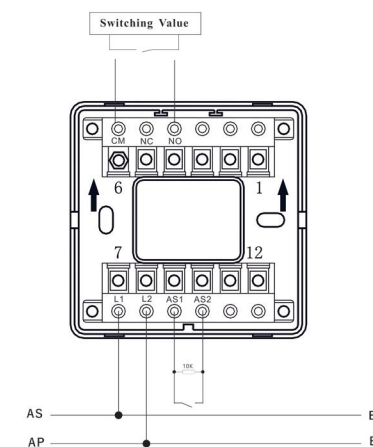


TECHNICAL SPECIFICATIONS

Rated operating voltage	DC 24V(14V~28V)
Operating current	Monitoring current: ≤ 0.2mA start current: ≤ 0.5mA
Operating Environment	Temperature: -10°C~+55°C; relative humidity: ≤95%, non-condensing
Input supervisory external loop	Open circuit occurs when normally open terminal supervising external loop (short circuit is an action signal), the module will send a fault signal to the control panel.
Material and color	ABS; Porcelain white
Output supervisory external loop	Short circuit or open circuit on the output loop occurs, the module will send a fault signal to the control panel
Weight	147g
Mounting hole distance	60mm
Dimension(L x W x H)	86mm x 86mm x 38mm (with base)

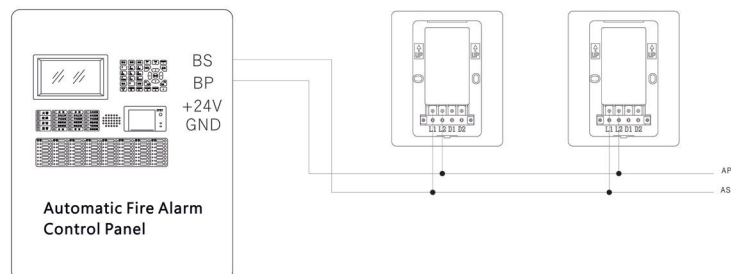
DETAILS

1. Fix the base with two tapping screws, and then connect loop to terminals (polarity-insensitive). After the base is fixed firmly, rotate the bottom of detector and base clockwise, and then the detector will be fitted to the base.
2. Wiring instructions: RVS twisted pair with cross-sectional area ≥ 1.0mm² should be selected for the second bus of the detector, which should be laid through metal pipe or flame retardant pipe. The length of the connecting wire should be limited to the single bus resistance ≤ 20Ω, otherwise the wire diameter should be increased.





✱ **TCSG 5270**
 Sounder Strobe (loop powered)
 ✱ EN54-3 CERTIFIED



FEATURE

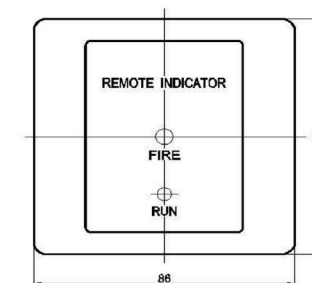
- wiring: non-polarized two signal bus
- built-in microprocessor, intelligent judgement ability
- self-diagnose function, ensuring its reliable work
- multilevel filtering of software and hardware can effectively suppress interference signals

TECHNICAL SPECIFICATIONS

Signal bus voltage	Bus 24V (17V~28V)
Operating current	Monitoring current: ≤ 0.2mA; Bus start alarm current: ≤ 4mA
Operating Environment	Temperature: -10°C~+55°C; Relative Humidity: ≤ 95% non-condensing
Main sound frequency	1.67KHZ~5.9KHZ
Pitch shift periodic	3.5s~4.5s
Ingress protection rating	IP21C
Material and color	ABS, milky white
Weight	110g
Mounting hole distance	60mm
Dimension(L×W×H)	140mm*115mm*55mm



✱ **TCZS 5273**
 Remote Indicator



FEATURE

- share the address with the associating devices
- the microprocessor is adopted to realize signal processing, and the digital signal is used to communicate with the control panel, which works stably and reliably, and has a good ability to suppress electromagnetic interference.
- electronically coding.

TECHNICAL SPECIFICATIONS

Rated operating voltage	DC 24V
Operating current	Monitoring current: ≤ 0.21mA; Bus start alarm current: ≤ 0.4mA
Operating Environment	Indoor Atmospheric pressure: 86kPa~106kPa Temperature: -10°C~+55°C; relative humidity: ≤ 95%, non-condensing
Material and color	ABS, milky white
Weight	110g



* TCFSZ5131
Waterproof Base



TECHNICAL SPECIFICATIONS

Dimension
Match with

131mm*110mm*32mm
TCDZ5000



* TCFSZ5211
Waterproof Base



TECHNICAL SPECIFICATIONS

Dimension
Match with

117mm*94mm*32mm
all kinds of modules



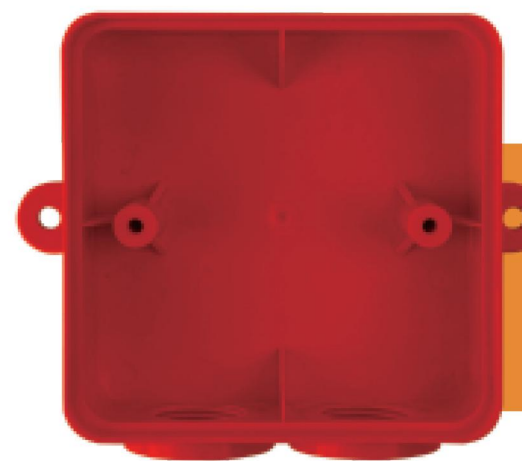
* TCFSZ5230
Waterproof Base



TECHNICAL SPECIFICATIONS

Dimension
Match with

131mm*110mm*32mm
round-shaped sounder strobe



* TCFSZ5264
Waterproof Base



TECHNICAL SPECIFICATIONS

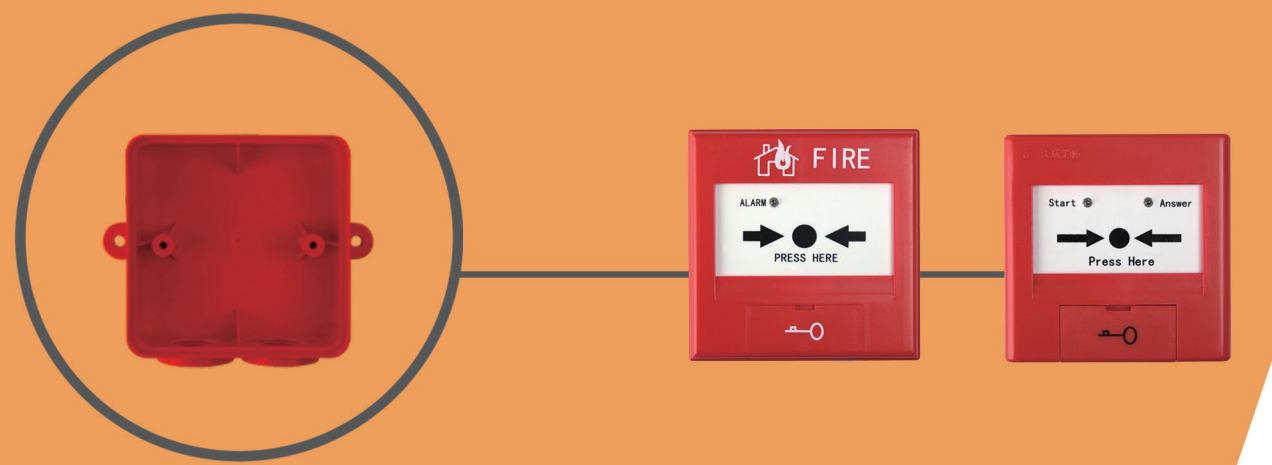
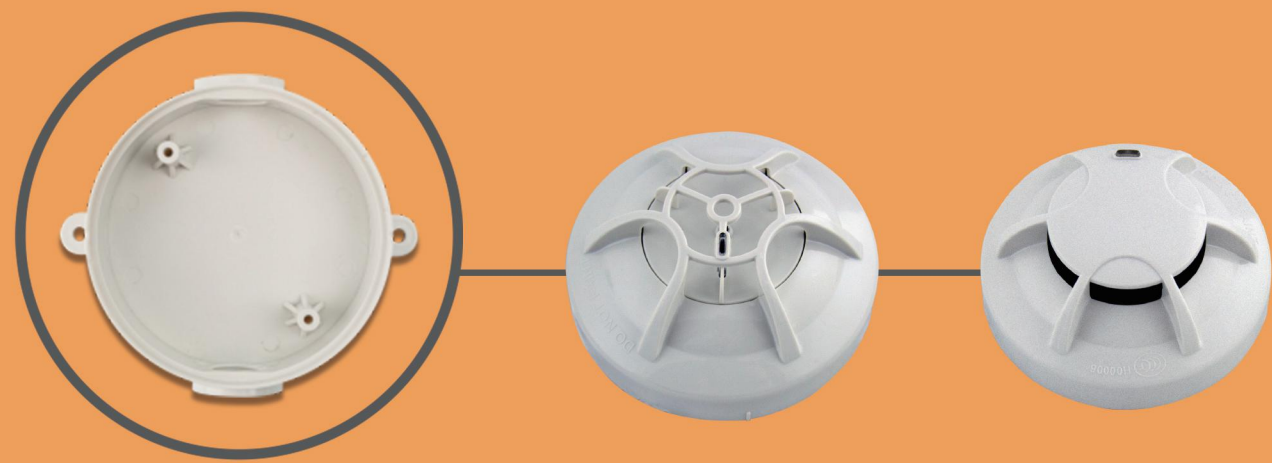
Dimension
Match with

125mm*103mm*32mm
MCP and fire hydrant button




WATERPROOF BASE

MATCHED WITH DEVICES

ABOUT US





✱ TCFSH 5203   
Water Proof Box For Sounder



TECHNICAL SPECIFICATIONS

Ingress protection rating
Material and color of enclosure
Dimension(L×W×H)

IP67
ABS
147mm×119mm×79mm



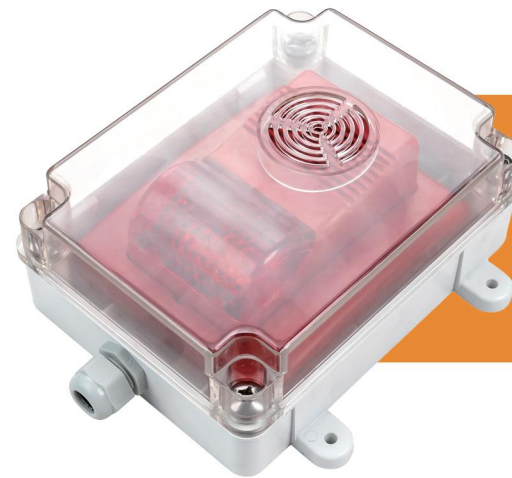
✱ TCFSH 5231   
Water Proof Box For Module And MCP
✱ EN54- CERTIFIED





TECHNICAL SPECIFICATIONS

Ingress protection rating
Material and color of enclosure
Dimension(L×W×H)

IP67
ABS
147mm×119mm×79mm



✱ TCFSH 5206   
Water Proof Box For Sounder



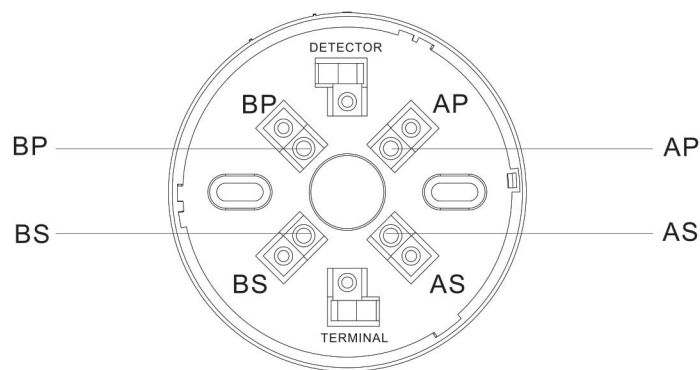
TECHNICAL SPECIFICATIONS

Ingress protection rating
Material and color of enclosure
Dimension(L×W×H)

IP67
ABS
185mm×185mm×75mm



✿ TCDZ 516
 Isolating Base
 ✿ EN54-17 CERTIFIED



FEATURE

- Built-in isolator
- Non-polarized
- Reliable and low power
- Strong anti-interference
- Easy to wire and commissioning

TECHNICAL SPECIFICATIONS

Vmax	28V
Vnom	27V
Vmin	19V
ISO max	600MA
ISO min	240MA
ISC max	21MA
ISC min	9MA
IS max	2A
IL max	26MA
ZC max	350mΩ

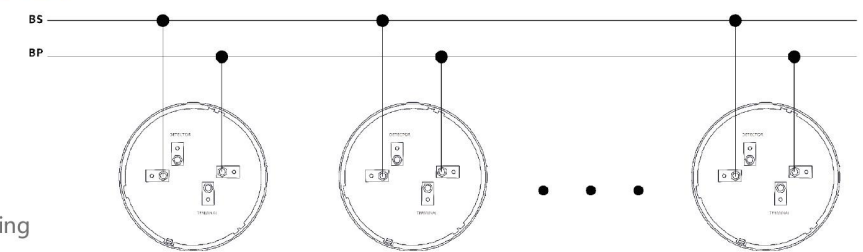


✿ TCDZ 517S
 Sounder Base(Addressable)
 ✿ EN54-3 CERTIFIED



FEATURE

- Non-polarized
- Reliable and low power
- Strong anti-interference
- Easy to wire and commissioning
- Addressable makes it meet more on-site requirements



TECHNICAL SPECIFICATIONS

Operating voltage	Loop: 24V(18.5V~26V)
Standby current	Loop: ≤0.15mA
Active current	Loop: ≤4mA
Operating environment	Indoor(non-residential); Temperature: -10℃~+50℃; Relative humidity: ≤95%(40±2℃)
Sound level	90dB@3m
Pitch shift periodic	3.5s~4.5s



✦ TCDZ 518FS  

Sounder Base(Conventional)

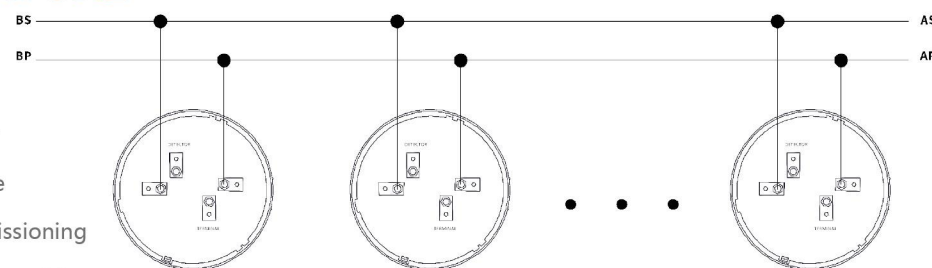
✦ EN54-3 CERTIFIED



FEATURE



- Non-polarized
- Reliable and low power
- Strong anti-interference
- Easy to wire and commissioning
- Does not have an address of its own



TECHNICAL SPECIFICATIONS

Operating voltage
Standby current
Active current
Operating environment
Sound level
Pitch shift periodic

Loop: 24V(18.5V~26V)
Loop: $\leq 0.23\text{mA}$
Loop: $\leq 4\text{mA}$
Indoor(non-residential); Temperature: $-10^{\circ}\text{C}\sim+50^{\circ}\text{C}$;
Relative humidity: $\leq 95\%(40\pm 2^{\circ}\text{C})$
90dB@3m
3.5s~4.5s

TIANCHENG FIRE PROTECTION EQUIPMENT

Address: No. 11-2 Kechechang Xili, Xishi District, Yingkou Pilot Free Trade Zone (Liaoning) China

Postcode: 115004

Email: info@tcfiretech.com

Website: www.tcfiretech.com

All rights reserved. If the version of this manual is updated, the latest version shall prevail.

Ver. 2021.01